

# Using DynaComm i:filter with Hubs and Switches

For answers to questions regarding the information included in this document or about your installation, contact FutureSoft Technical Support at:

- Phone: 800.989.8908
- E-mail: support@futuresoft.com

## ▼ Hubs

Figure 1 illustrates using DynaComm i:filter with a hub and a switch. Link speed can be either 10Mb or 100Mb. The same link speed must be used between:

- DynaComm i:filter and the hub (a), *and*
- The switch and the hub (b).

The link from the hub to the router can be any speed. However, the hub must be an unmanaged hub with no switching functionality. Two hubs tested by FutureSoft that include these requirements are:

- D-Link DSH-5
- Netgear DS-104

Check your hub documentation for details.

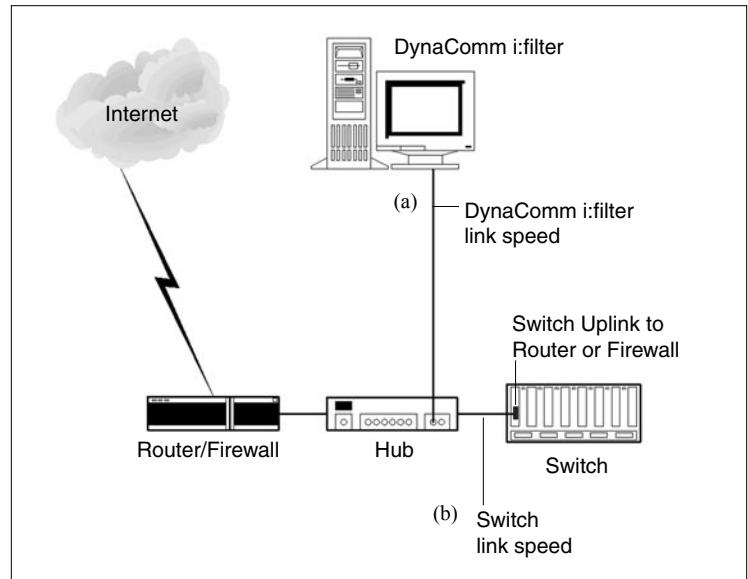


Figure 1  
DynaComm i:filter with hub and switch.

## ▼ Switches

In Figure 2, SPAN/Mirroring of the Switch Uplink is established to the port used by DynaComm i:filter. When SPAN/Mirroring is enabled, DynaComm i:filter receives a copy of each web request that is transmitted from the Switch Uplink.

The switch port used by DynaComm i:filter must be configured to allow packet transmission to the switch. This port must also have MAC address learning disabled, if available.

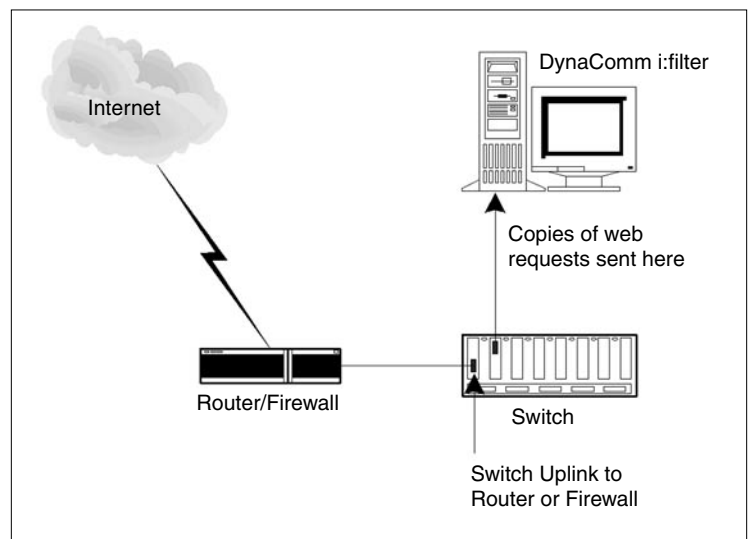


Figure 2  
DynaComm i:filter with switch.